



UNIVERSITI PUTRA MALAYSIA

**POWER FACTOR CORRECTION USING SINGLE STAGE
DISCONTINUOUS CONDUCTION MODE BOOSTER
RECTIFIER**

HUSSAIN SABRI ATHAB

FK 2003 53

**POWER FACTOR CORRECTION USING SINGLE STAGE
DISCONTINUOUS CONDUCTION MODE BOOSTER
RECTIFIER**

By

HUSSAIN SABRIATHAB

**Thesis Submitted to the School of Graduate Studies Universiti Putra
Malaysia in Fulfilment of the Requirements for the Degree of
Master Science**

August 2003



Abstract of thesis presented to the Senate of Universiti Putra Malaysia in
Fulfilment of the requirements of the degree of Master of Science

**POWER FACTOR CORRECTION USING SINGLE STAGE
DISCONTINUOUS CONDUCTION MODE BOOSTER
RECTIFIER**

By

HUSSAIN SABRI ATHAB

August 2003

Chairman: Sinan Mahmoud Abdullah, Ph.D.

Faculty : Engineering

A single stage three-phase power factor correction circuit using a boost input current shaper has been described in both simulation and experimental work. To reduce the cost and avoid complexity the boost dc-to-dc converter is operated in discontinuous conduction mode using only one active switch. A low cost harmonic injection method for single switch three-phase DCM boost rectifiers has been simulated and tested. In this method, a periodic voltage which is proportional to the inverted ac component of the rectified three-phase line-to-line input voltage is injected in the control circuit to vary the duty cycle of the rectifier switch within a line cycle, so that the fifth-order harmonics of the input current is reduced to meet $THD < 10\%$ requirement.



The analysis of the injected signal and modified harmonic currents of the rectifier has been presented and verified on a laboratory prototype. Based on the equivalent multi-model an average small signal model of the boost power stage is developed and verified by simulation. The variations of the small signal model against load are demonstrated, and the compensator designed for constant switching frequency PWM is discussed. The simulated results show that at light load, the dominant pole of the control-to-output transfer function approaches the origin and causes more phase delay, complicating the control design circuit. To avoid the no load case and simplify the control design, a dummy is added.

The single stage three-phase boost power factor correction with improved input current distortion has been simulated using OrCad release 9.1 software. The results show there is an agreement between the simulation and experimental work.



Abstrak tesis yang dikemukakan kepada Senat Unjiversiti Putra Malaysia sebagai memenuhi keperluan unuk ijazah Master Sains.

PEMBETULAN FAKTOR KUASA MENGGUNAKAN PENERUS TOLAKAN PEMBALIKAN TAHAP TUNGGAL

Oleh

HUSSAIN SABRI ATHAB

Ogos 2003

Pengerusi: Sinan Mahmoud Abdullah, Ph.D

Fakulti : Kejuruteraan

Litar pembetulan faktor kuasa tiga fasa tahap tunggal menggunakan pembentuk arus masukan tolakan telah dihasilkan dalam tesis ini. Bagi mengurangkan kos dan mengelakkan kerumitan, penukar dc ke dc tolakan dijalankan dalam mod pengaliran tidak berterusan dengan menggunakan hanya satu suis aktif. Kaedah suntikan harmonik berkost rendah bagi penerus tolakan suis tunggal 3 fasa DCM telah diterangkan. Dalam kaedah yang dicadangkan, suatu voltan berkala yang berkadaran kepada komponen ac songsangan bagi voltan-voltan talian ke talian 3 fasa terterus telah disuntik ke dalam litar kawalan untuk mengubah kitar tugas suis penerus dalam satu kitar talian, supaya harmonik tertib kelima bagi arus masukan dapat dikurangkan untuk memenuhi keperluan $THD < 10\%$.

Analisis isyarat suntikan dan arus harmonik terubahsuai bagi penerus telah dipersembahkan dan dibuktikan pada prototaip makmal. Model isyarat kecil purata berasaskan berbilang model setara dibangunkan dan dibuktikan melalui penyelakuan. Perubahan model isyarat kecil terhadap beban ditunjukkan, dan rekabentuk pemampas dibincangkan. Keputusan-keputusan menunjukkan pada beban ringan, kutub perusa bagi fungsi pemindah kawalan kepada keluaran mencapai asalan dan menyebabkan lebih lengah fasa, yang merumitkan litar rekabentuk kawalan.

Pembetulan faktor kuasa tolakan tahap tunggal satu fasa dengan herotan arus masukan diperbaiki telah diselakukan menggunakan perisian OrCad Release 9.1. Keputusan-keputusan menunjukkan persetujuan memuaskan antara penyelakuan dan eksperimen.

ACKNOWLEDGMENTS

First and foremost, I would like to express my gratitude to the Most Gracious and Most Merciful ALLAH S.W.T, for helping me to complete this thesis. I would like to express the most sincere appreciation to those who made this work possible: Committee Advisers, Friends and Family.

I would like to express my most sincere gratitude and appreciation to my supervisor, Dr. Sinan Mahmoud Abdullah, for his continued support and encouragement throughout the course of his work. His valuable expertise, advice, and encouragement made this work possible.

I would like to express my deepest thanks and admiration to Assoc. Prof. Ir. Dr. Norman Mariun, Head of Electrical and Electronics Department, Universiti Putra Malaysia, and Dr. Samsul Bahari Mohd. Noor, for their valuable discussions and comments on this work.

I would like to express my great thanks and gratitude to my best friend Mr. Hussain Fadhil Mohd. Ali, for his support since the beginning of my study in Malaysia. I will never forget his financial support to me despite of all his problems. He has not only been a great friend, but also a great brother. I wish him all the best inshallah.

I would like to express my thanks to Mr. Mohd. Amran Mohd. Radzi. UPM staff, for his support in the lab. I wish him all the best. And I would like to thanks all our lab mates, Liyth, Omer, Yousif, Adel, Hamad, Zahi, Hendri, Arshad, Izzri, and others whose name is not mentioned.



I certify that an Examination Committee has met on 8 of August.2003 to conduct the final examination of Hussain Sabri Athab on his Master of Science thesis entitled “ Power Factor Correction Using Single Stage Discontinuous Conduction Mode Booster Rectifier” in accordance with Universiti Putra Malaysia (Higher Degree) Act 1980 and Universiti Pertanian Malaysia (Higher Degree) Regulations 1981. The Committee recommends that the candidate be awarded the relevant degree. The Committee Members for the candidate are as follows:

MOHIBUALLAH, Ph.D
Associate Professor
Faculty of Engineering
Universiti Putra Malaysia
(Chairman)

SENAN MAHMOUD BASHI, Ph.D.
Lecturer
Faculty of Engineering
Universiti Putra Malaysia
(Member)

NORMAN MARIUN, Ph.D.P.Eng.
Associate Professor
Faculty of Engineering
Universiti Putra Malaysia
(Member)

SAMSUL BAHARI MOHD. NOOR, Ph.D.
Lecturer
Faculty of Engineering
Universiti Putra Malaysia
(Member)



GULAM RUSUL RAHMAT ALI, Ph.D
Professor/Deputy Dean
School of Graduate Studies
Universiti Putra Malaysia

Date: 26 SEP 2003

This thesis submitted to the Senate Universiti Putra Malaysia, has been accepted as fulfilment of the requirement for the degree of Master of Science. The members of the supervisor committee are as follows:

SENAN MAHMOUD BASHI. Ph.D.
Lecturer
Faculty of Engineering
Universiti Putra Malaysia
(Chairman)

NORMAN MARIUN, Ph.D.P.Eng.
Associate Professor
Faculty of Engineering
Universiti Putra Malaysia
(Member)

SAMSUL BAHARI MOHD. NOOR, Ph.D.
Lecturer
Faculty of Engineering
Universiti Putra Malaysia
(Member)

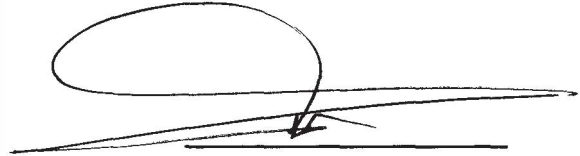


AINI IDERIS, Ph.D
Professor/Dean
School of Graduate Studies
Universiti Putra Malaysia

Date: **14** NOV 2003

DECLARATION

I hereby declare that the thesis is based on my original work except for quotations and citations, which have been duly acknowledged. I also declare that it has not been previously or concurrently submitted for any other degree at Universiti Putra Malaysia or other institutions.

A handwritten signature in black ink, consisting of a large, stylized loop at the top and several horizontal strokes below it.

Hussain Sabri Athab

Date 26-09-2003

TABLE OF CONTENTS

	Page
ABSTRACT	ii
ABSTRAK	iv
ACKNOWLEDGMENTS	vi
APPROVAL	vii
DECLARATION	ix
LIST OF TABLES	xii
LIST OF FIGURES	xiii
LIST OF ABBREVIATIONS	xv
CHAPTER	
1 INTRODUCTION	1
1.1 Scope and objective of the thesis	7
1.2 Thesis Structure	7
2 LITERATURE REVIEW	9
2.1 Power Converter	9
2.2 AC/DC Converter	10
2.3 Basic AC/DC Converters Topologies	11
2.3.1 Buck Converter	11
2.3.2 Boost Converter	12
2.3.3 Flyback converter	12
2.4 Converter Source Classification	13
2.4.1 Voltage Source Converter	13
2.4.2 Current Source Converter	13
2.5 General Approaches to Three-Phase PFC Circuits	15
2.5.1 Rectifiers With Bi-Directional Power Flow Capability	15
2.5.2 Rectifiers With Unidirectional Power Flow Capability	17
2.5.3 Low-Frequency Rectifiers	18
2.5.4 Active Filters	19
2.6 Simple Three-Phase PFC Circuits	20
2.6.1 Three-Phase Rectifiers Consisting of a three Single-phase PFC Converters	20
2.6.2 Three-Phase Single-Switch DCM Rectifiers	22
2.7 Analysis of The Single-Switch DCM Boost Rectifier	30
2.7.1 Average Line Current	32
2.8 A simple method of steady state analysis of PWM converter	34
2.9 Boost Power Stage Modeling	38
2.10 Conclusion	40
3 METHODOLOGY	43
3.1 Harmonics With Constant and Variable Switching Frequency PWMs	43



3.1.1	Harmonics With Constant Switching Frequency PWM	43
3.1.2	Harmonics With Variable Switching Frequency PWM	46
3.2	Harmonic Reduction With Harmonic-Injected PWM	49
3.2.1	Harmonic-Injected PWM Concept	50
3.3	Implementation Of The Injection-Signal	54
3.4	Implementation of Modulation Index, Multiplier, and Adder	58
3.5	Boost Inductor Design	60
3.6	Small-Signal Model of Power Stage Boost Rectifier	62
3.7	Feedback Controller Loop Design	70
4	RESULTS AND DISCUSSION	74
4.1	Simulation results	74
4.2	Experimental Results	82
5	CONCLUSIONS AND FUTURE DEVELOPMENT	96
	REFERENCES	98
	APPENDICES	103
	BIODATA OF THE AUTHOR	105



LIST OF TABLES

Table		Page
2.1	Extending the results given in (2-14) to one quarter of the line period	34
2.2	Critical power and voltage gains for general type PWM converters	37



LIST OF FIGURES

Figure	Page
1.1 Three-phase DCM boost rectifier with harmonic injection method	6
2.1 Voltage Source Converter	14
2.2 Current Source Converter	14
2.3 Three-phase rectifiers: (a) boost and (b) buck	16
2.4 Unidirectional PFC used for wide input voltage range	17
2.5 Three-level PFC topology and	18
2.6 Injecting third harmonic	19
2.7 Active shunt filter used to improve the current waveform Generated by non-linear loads	20
2.8 Three-phase ZVT PFC rectifier consisting of single-phase converters	22
2.9 Three-phase single switch boost rectifier with ZCT circuit	23
2.10 Rectifier Input Current	25
2.11 Input currents of three-phase DCM boost rectifier.	27
1.12 Normalized input-current harmonics of the single-switch three Phase constant-frequency constant-duty-cycle DCM boost rectifier	28
2.13 Current in the boost inductors and operating stages in the interval $0 < \omega t < \pi/6$ of the input AC voltages	31
2.14 DC/DC Boost Converter and Its Current Waveform	35
2.15 DC-To-DC Converter Control Loop Components	39
2.16 Boost non-linear power stage gain versus duty cycle	39
3.1 Average Input Current at $M=1.2, 1.4, \text{ and } 1.6$	45
3.2 THD as a Function of M With Constant Switching Frequency PWM	46
3.3 A Single-Switch Rectifier With Variable Switching Frequency PWM	47
3.4 THD as a Function of M With Variable Switching Frequency PWM	49
3.5 Duty Cycle Modulation Concept in one Phase Current	51
3.6 Duty Cycle Modulation Concept in Three Phase Currents	52
3.7 Implementation Of The Injection	55
3.8 Circuit Implementation of Harmonic Generator	58
3.9 Circuit Implementation of Multiplier, Modulation Index, and Adder	59
3.10 An Equivalent Circuit of Single-Switch Three-Phase Boost Rectifier	61
3.11 The Equivalent Converter and Its Input Voltages	64
a. The Equivalent Converter Using Two Sub-Converters In Parallel	
b. The Equivalent Input Voltages	
3.12 Average Model of Sub-Converters	65
3.13 PWM Switch Model of a Single Switch Three-Phase Rectifier	65
3.14 Load Effect on The Duty Cycle of a Single Switch Boost Rectifier	67
3.15 Load Effect on The DC Gain of Control-to-Output Transfer Function	67
3.16 Bode Plots of Control-to-Output Transfer Function For Different Values of Load	69



3.17	Circuit Implementation of The Compensator	72
3.18	Loop Gains with compensator in equation (3.17)	73
3.19	Loop gains with compensator in equation (3.18)	73
4.1	Simulated Power Stage Circuit of Single Switch Three-Phase Boost Rectifier	76
4.2	a. Input Current Waveform of Three-Phase Bridge Rectifier b. Harmonic Contents.	77
4.3	Pre-Filtered Input Current of Phase A	78
4.4	a. Filtered Average Input Current of Phase A with Power Factor Correction b. Harmonic Contents	79
4.5	a. Filtered Average Input Current of Phase A With Injection b. Harmonics Contents	80
4.6	Three-Phase Input Line Currents with Power Factor Correction	81
4.7	Three-Phase Input Line Currents with injection	81
4.8	Hardware Components	83
4.9	Hardware Components from Different view angle	83
4.10	Harmonic Generator Waveforms	84
4.11	a. Measured Input Current of Three-Phase Bridge Rectifier b. Frequency Spectrum Of The Input Current	87
4.12	Measured Pre-Filtered Input Line Current Of Single Switch Three-Phase Boost Power Factor Correction Rectifier	88
4.13	(a) Measured Input Current of Single Switch Three-Phase Boost Power Factor Correction Rectifier without Injection (b)Frequency Spectrum	89
4.14	Measured Input Current and Its Spectrum of Phase A with Injection	90
4.15	Measured Input Current and Its Spectrum of Phase B without Injection	91
4.16	Measured Input Current and Its Spectrum of Phase B with Injection	92
4.17	Measured Input Current and its Spectrum of Phase C without injection	93
4.18	Measured Input Current and Its Spectrum of Phase C with Injection	94
4.19	(a) Measured Input Current Waveform Of Three-Phase System Without Injection b. Measured Input Current Waveform Of Three-Phase System With Injection	95



ABBREVIATIONS

Symbols

A	Ampere
AC	Alternating Current (A)
C	Capacitor (farad)
CCM	Continuous Conduction Mode
C_f	Capacitor Filter (farad)
D	Duty Cycle
D_o	Output diode
DC	Direct Current (A)
DCM	Discontinuous Conduction Mode
DPS	Distribution Power System
EMI	Electromagnetic Interference
F	Frequency (Hz)
f_s	Switching Frequency (Hz)
FSF	Frequency Scaling Factor
I	Current (A)
IEC	International Electrotechnical Commission
I_f	Fundamental Current (A)
IGBT	Insulated Gate Bipolar Transistor
KHz	kilo Hertz
L	Inductor (H)
L_f	Inductor Filter (H)
L_e	Equivalent Inductor (H)
M	Voltage Conversion Ratio
m	Modulation index
MOSFET	Metal Oxide Silicon Field Effect Transistor
PFC	Power Factor Correction
PWM	Pulse Width Modulation
P_o	Output Power (kW)
R	Resistance (ohm)
RMS	Root Mean Square
THD	Total Harmonic Distortion (%)
T_r	Line Period (second)
T_s	Switching Period (second)
UPS	uninterruptible Power Supply
V	Voltage (V)
V_o	Output Voltage (V)
V_m	Maximum Phase Voltage (V)
V_{in}	Input Voltage (V)
V_{ip}	Line-To-Line Peak Voltage (V)
V_{ref}	Reference Voltage (V)
Z	Impedance (ohm)
ZCS	Zero Current Switching
ZCT	Zero Current Transition
ZVT	Zero Voltage Transition



CHAPTER I

INTRODUCTION

With the development of advanced power semiconductor devices, more and more power electronic equipment such as the switched mode power supplies, uninterruptible power supplies (UPS), AC and DC motor drives, and AC-to-DC power converters are used as interface with the utility voltage source. Due to nonlinear behavior of power switched circuits, distorted currents are normally drawn from the line, resulting in low power factor and high total harmonics distortion (THD), which degrade power quality and is considered the main source of many system malfunctions. The non-sinusoidal shape of the input current drawn by the power switched circuit causes a number of problems in the sensitive electronic equipment and in the power distribution network. The distorted input current flowing through the system produces distorted voltages at the input of the common coupling. Thus, the increased harmonic currents result in increasing the volt-ampere ratings of the utility equipment, such as generators, transmission lines, and transformers.

Basically, there are two types of harmonic sources. The first being the well-known harmonic current source and thyristor converters are common sources of harmonic currents. The distortion of current waveform, i.e. the generation of harmonics, results from the switching operation. Because the harmonic current contents and characteristics are less dependent on the ac side, this type of harmonic source behaves like a current source. Therefore, they are called harmonic current source. The second type will be the harmonic voltage source, which is that of diode rectifiers



with smoothing DC capacitors at the output. Although the current is highly distorted, its harmonic amplitude is greatly affected by the impedance of the ac side, whereas the rectifier voltage is less dependent upon the AC impedance. Therefore, a diode rectifier behaves like a voltage source rather than a current source. Accordingly, the harmonic current originate from the rectifier voltage, and its contents are determined and dependent, upon the rectifier voltage and the ac impedance.

Harmonics problems are increasing concerns in the recent past and several technical guidelines regarding suppressions of system harmonic contents have been enacted. Conventional way of suppressing harmonic currents generated by the nonlinear loads is realized by installing a bank of passive tuned and one or two high pass power filters beside these loads. The effects of passive filters are very sensitive to temperature and parameter changes so this approach is only cost effective in high power applications. In low and medium power applications, active power factor correction (PFC) converters have been analyzed in recent years [1-4]. The power factor correction circuits are designed to achieve two distinct objectives: to convert the AC power drawn from the input line to a stable DC output power, and to shape the line currents to follow the waveform of the line voltage so that the system power quality can be maintained. The first objective is associated with balancing power between input and output. Incorporating one or more large storage elements into the circuit can solve the problem. The second objective is handled by using high frequency switching techniques to chop the input current and to move the harmonic components to high frequency range. The input current now is a sinusoidal waveform with the line frequency modulated by many high frequency components, which are easily to be filtered out.



To obtain a three-phase converter, we can use three single-phase converters with their outputs connected in parallel and with the input of each converter connected to one phase of the three-phase source (as shown in Figure 2.7). This approach, though possible, is not as desirable as the approach, which involves the use of a single converter to provide the desired three-phase AC-to-DC power conversion. Recent interest in the developments of three-phase converters capable of operation with unity power factor has led to a number of converters. Amongst three phase AC-to-DC PWM rectifiers, boost-type topologies are frequently used because of continuous input currents and high output voltages. Basically, two topologies are most popular: a six-switches full-bridge boost rectifier and a single switch boost rectifier. The first one uses six switches to achieve sinusoidal input current control and to share the output power as shown in Figure 2.3 (a), resulting in features, which include continuous input current, excellent power factor, and low switch current rating [5, 23, 24]. However, this circuit is very complicated in power stage and control, making it too expensive for medium power level (5kW-10kW) applications. The second one uses six diodes and one switch to control input currents and output power as depicted in Figure 2.8 [6-14]. It is simple in power stage and control; hence, inexpensive. However, it has the disadvantage substantially high peak current of the switching devices due to the DCM operation. For medium power applications such as telecommunication and battery chargers this topology is a very attractive solution.

Shaping input phase currents into discontinuous waveforms can lead to a power factor correction, in a single-switch rectifier. The average values of these waveforms in one switching cycle are proportional to the instantaneous values of their

corresponding phase voltages. As a result, the phase input currents are forced to track the input voltages, and almost unity power factor is obtained.

However, if the rectifier is implemented with the conventional low bandwidth output voltage feedback control at constant switching frequency, which keeps the duty cycle of the switch constant during a rectified line period, the rectifier input current exhibits a relatively large fifth-order harmonics, limiting the applications of the rectifier. Therefore, the single switch three-phase rectifier cannot be pushed to higher power levels because its input current harmonics cannot meet the THD requirements or IEC1000-3-2 (A) standards. Based on harmonic analysis, it is found that the current distortions are related to the rectifier voltage gain M [11], which is defined as:

$$M = V_o / V_{ip}$$

Where V_o is the rectifier output voltage and V_{ip} is the input line-to-line peak voltage. The higher the voltage conversion ratio (M) is, the lower the harmonics become, whereas a larger M derives a high output voltage. This is not a desirable solution because it will increase the voltage stress across the power devices of the rectifier itself, as well as across the devices of the converter that will be connected across the output of the discontinuous conduction mode (DCM) rectifier.

To alleviate this problem to some extent, different modulation techniques have been proposed to reduce the harmonic distortion of the input currents without increasing the bus voltage beyond practical levels. The first approach proposed to improve the harmonic distortion of the input currents involves operating the single-switch boost rectifier in the critical mode [10], [11]. To do this, the power switch must be turned

on at the instant at which the boost diode current reaches zero. As a result, the switching frequency becomes variable, and the effective duty cycle modulation over the line cycle results in reduced THD of the input currents. The drawback of operating the DCM boost rectifier in the critical mode is the wide switching frequency variation that depends upon both load and input voltage limits.

Another approach to improve the THD of the input current involves controlling to a constant level the average current in the boost diode [16]. In order to keep the average current constant through the boost diode, the duty cycle must be modulated over the line cycle, resulting in an improved input current waveform. The drawback of this method is the extra current sensor required to control the average boost diode current.

A simple technique that can be used to reduce the harmonic distortion of the input current is the so-called harmonic injection method [17-21]. This method is illustrated in Figure 1.1, and the principles for achieving optimal harmonic injection are described by Sun [17] and Zhang [18]. This method utilizes voltage ripples of the rectifier output voltage and employs phase detecting and phase-locking loop circuits to properly synchronize the injected signal with the rectifier input currents. Figure 1.1 shows that a modulating signal is added to the control signal in order to modulate the duty cycle over the line period. By controlling the modulation index, it is possible to improve the THD of the input currents. When the DCM boost rectifier operates for example at 8kW of output power and with a constant duty cycle over the line period, the fifth-order harmonic is well above the limit specified by the IEC 1000-3-2 Class A standard. However, under the same operating conditions, the harmonic injection

method is able to lower the amplitude of the fifth-order harmonic to slightly below the limit, while still maintaining the same bus voltage. Therefore, the harmonic injection technique helps the boost rectifier to comply with the THD requirement, or the IEC standard at higher power levels. For example, for 800V bus voltage and constant duty cycle control, the maximum power that can be extracted from the DCM boost rectifier is 6kW at 220V line-to-neutral input voltage. At the same bus voltage and the same input phase voltages, the harmonic injection technique increases the power limit to more than 8kW, while still complying with the IEC standard or the THD requirement [21]. Therefore, the harmonic injection helps to increase the power level that can be extracted from the DCM boost rectifier without exceeding the limits of harmonic emissions established by the IEC 1000-3-2 Class A standard and improve the THD, while avoiding increased bus voltage beyond practical levels.

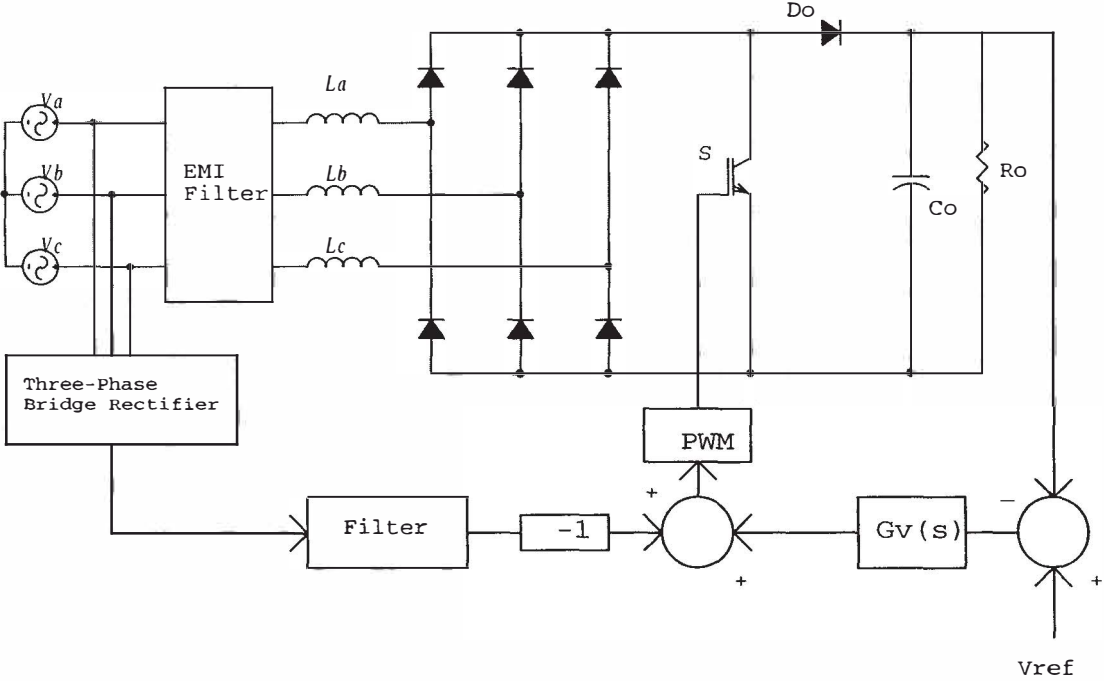


Figure 1.1 Three-phase DCM Boost Rectifier With Harmonic Injection Method.



1.1 Scope and Objectives of The Thesis

The scope of the research is to design and construct a low cost topology of a distribution power system front-end converter for high power applications. A single switch three-phase discontinuous conduction mode (DCM) boost rectifier, which has the advantages of simplicity and low cost, is used to achieve high power factor and low input current total harmonic distortion (THD). A harmonic injection method is proposed to meet the $THD < 10\%$.

The objectives of the project are as follows:

- Design, and construct of the single stage power factor correction boost rectifier.
- Implementation of a low cost harmonic injection method.
- Achieve low input current THD, high efficiency.
- Achieve an optimum modulation index value for the injected signal.

1.2 Thesis Structure

Chapter II reviews recent progress in topology, control, and design aspects in three-phase power factor correction (PFC) techniques. Different switching rectifier topologies are presented for various applications. Analysis and operation of a single switch three-phase DCM boost rectifier are presented.

In chapter III, a six-order harmonic-injected PWM concept is first implemented. Based on harmonic analysis, it is found that the dominant harmonic in the single

switch three-phase boost rectifier with constant switching frequency PWM is the fifth-order harmonic. Modulating the duty cycle with a sixth-order harmonic can reduce this harmonic. Even though a seventh-order harmonic is created at the same time, the total harmonic distortion can be improved. By properly injecting the sixth-order harmonic, the input current harmonics can be optimized to meet the THD requirement.

Secondly, a harmonic injection technique is developed. Based on the voltage compensator designed for constant switching frequency PWM, a synchronized harmonic generator is used to provide a sixth-order sinusoidal signal. A multiplier is used to modify the signal with modulation index. An adder is used to inject the signal into the voltage feedback loop.

Thirdly, the design of a single switch three-phase boost rectifier is considered. Based on the steady state analysis, the boost inductor design is addressed. An average small-signal model is developed and verified with simulation, and the variation of the model against load is investigated. Then, the small-signal model is used to design the voltage compensator for the single switch three-phase boost rectifier.

Chapter IV presents the results and discussion of the simulation model, and the experimental prototype. Chapter V presents the conclusions and future developments, recommended by the author.



CHAPTER II

LITERATURE REVIEW

2.1. Power Converter.

In general sense, a power converter can be defined as a device, which converts one form of energy into another on a continuous basis. An AC-to-DC power converter is widely used for obtaining an adjustable DC voltage from the utility three-phase main supply. The DC output may be used for DC power supply, DC motor drive, battery charger, or for generating the DC link of an inverter. A power converter circuit provides an interface between subsystem, which imposes relationship between the voltage and current waveforms and those of one port and those on the other. Power conversion circuit is commonly classified into different topologies such as AC-to-DC converters, DC-to-AC converters, or DC-to-DC converters.

The basic power converter of the same topology, which can convert AC-to-DC in which energy flows from the AC network to the DC network is known as a rectifier, whereas DC-to-AC converter whereby energy flows in the opposite direction, from a DC-to-AC network is known as an inverter.